

## Gobi8 Product Highlight

- \* Integrated with 3.5G (HSDPA) capability
- \* Integrated with "Micro-Browser" for Hotspots (Starbucks, Airport, Hotel, etc...)
- \* Built-in Wired, WiFi (802.11b/g)
- \* Integrated with Hardware VPN for secured connection



3.5G PC Card Slot



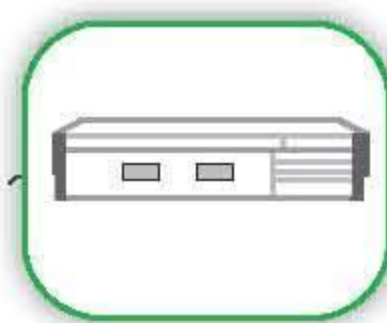
Micro-Browser



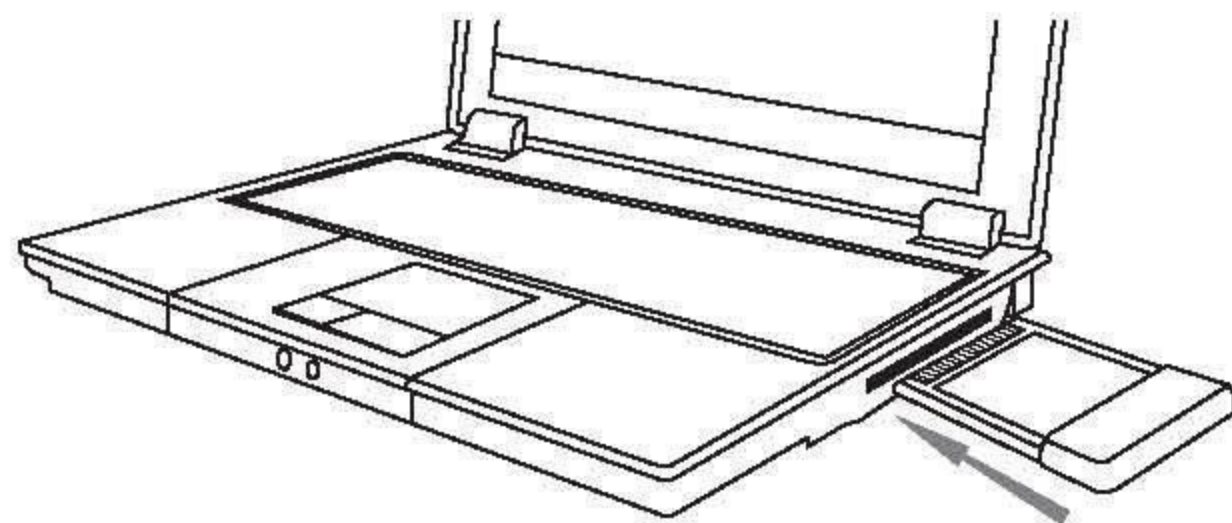
Wi-Fi 802.11g



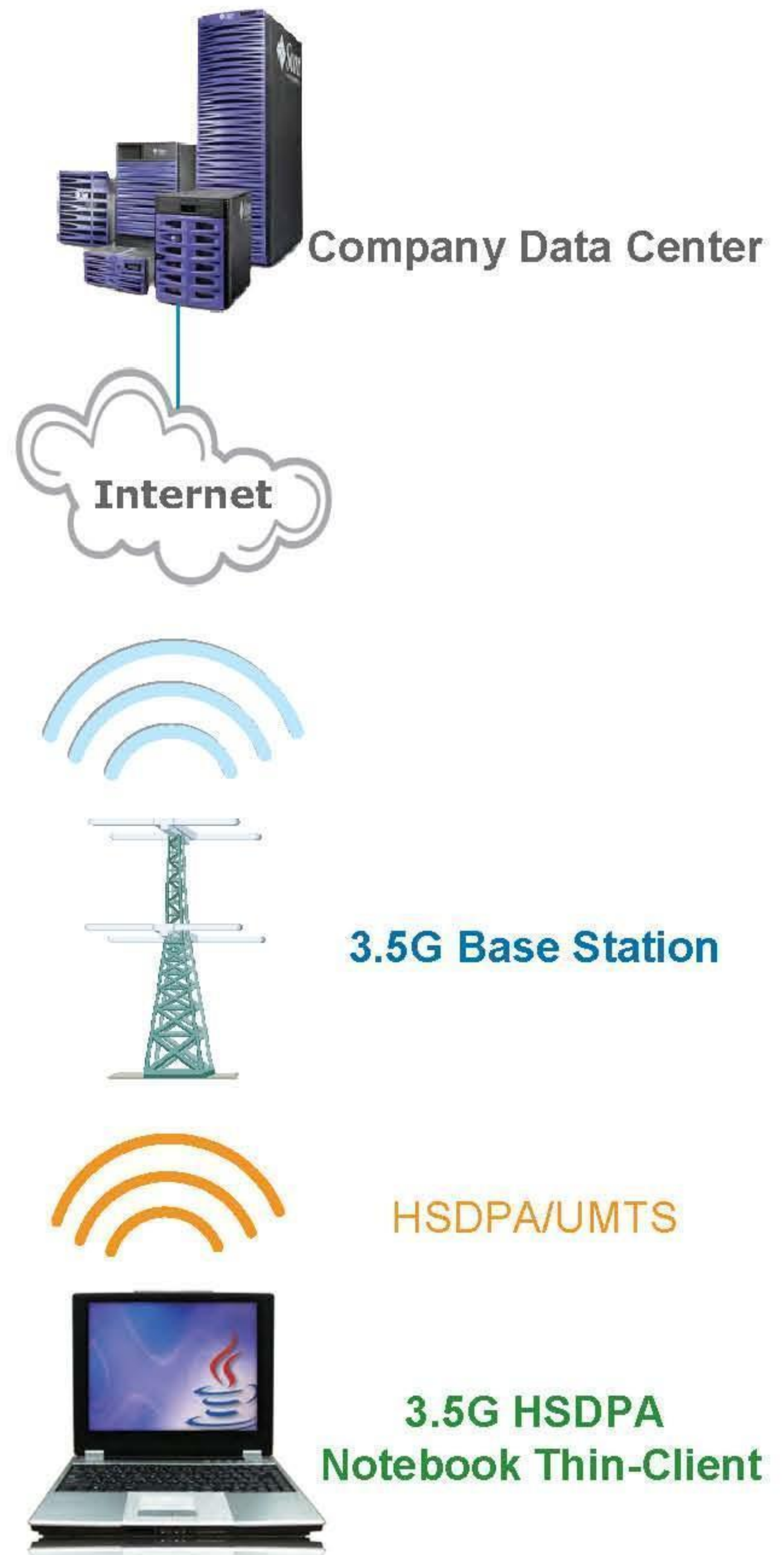
Sun Ray™ 2



VPN/Remote Access



PCMCIA 3G Data Card



## Specifications

<b>Display:</b>	12.1-inch TFT-LCD Display (XGA 1024x768)
<b>Networking:</b>	Integrated 802.11 g wireless networking Integrated 10/100Base-T RJ-45 Ethernet port Integrated 3.5G HSDPA PC Card Slot Integrated Micro-Browser for internet access
<b>Work@Home Connectivity:</b>	Built-in Hardware VPN & DHCP Relay Agent
<b>Peripheral Interfaces:</b>	USB Port x 3 CRT Port x 1
<b>Audio:</b>	Two Audio jacks for Microphone-in/Headphone-out
<b>Smart Card Reader:</b>	ISO-7816-1 Compliant
<b>Keyboard/Mouse:</b>	Integrated 87-key keyboard & touchpad with Sun's functions
<b>Battery:</b>	Lithium-ion battery pack, up to 3.5 ~ 4 hrs operating time (up to 2 ~ 2.5 hrs for 3.5G HSDPA)
<b>Adapter:</b>	Universal Power adapter, output 19V/2.64A, input 100-240V AC 50/60Hz
<b>Software:</b>	Compatible with Sun Ray™ Server Software running on SPARC or x86 Servers compatible with Sun Ray™ 2 Server Software (excluded) including Authentication Manager, Session Manager, Group Manager, and Administration Tools.
<b>Dimensions:</b>	320(W) × 242(D) × 22(H) mm
<b>Weight:</b>	N.W.: 1.5 kgs G.W.: 3.5 kgs

## Environmental:

<b>Temperature:</b>	Operating: 5°C - 40°C (41°F - 104°F) Storage: -20 C - 60 C (-4°F - 140°F)
<b>Humidity:</b>	Operating: 20% to 80% (non-condensing) Storage: 93% (non-condensing)
<b>Altitude:</b>	0 ~ 40,000ft (0 ~ 12,000m)
<b>Security:</b>	Kensington Lock Attachment
<b>Regulatory:</b>	
<b>EMC:</b>	FCC Class B, CE, VCCI
<b>Safety:</b>	UL/cUL

Specifications are subject to change without notice.

SPARC® is registered trademark of SPARC International, Inc. in the United States and countries worldwide. Products bearing the SPARC trademarks are based on an architecture developed by Sun Microsystems, Inc. Sun®, Sun Microsystems®, the Sun logo, the Sun iForce Partner logo and Sun Ray™ 2FS are trademarks or registered trademarks of Sun Microsystems, Inc. in the United States and other countries. All other trademarks recognized.